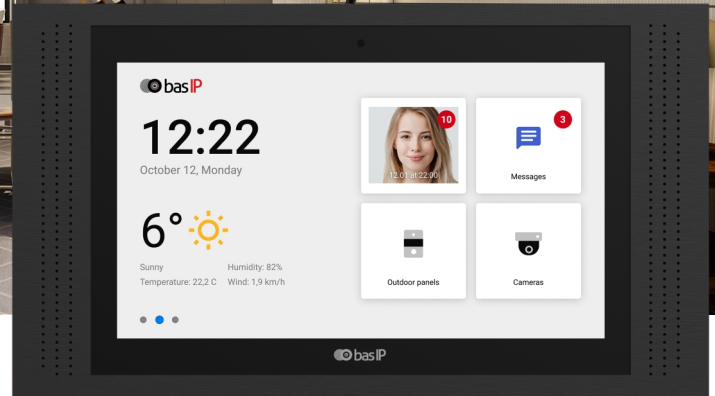




# AT-10

## IP INDOOR VIDEO ENTRY PHONE



### Description

10" IP indoor video entry phone with IPS screen, resolution 1280x800 and the ability to connect alarm sensors.

The indoor video entry phone works on the Android 10 operating system.

It comes in 3 color variations: White, Gold, Black and has two installation options: wall mount and flush mount, using a special bracket.

### Specifications

Display	10" IPS LCD, capacitive touchscreen
Screen resolution	1280 x 800
Built-in camera	Yes
Power	PoE and + 12 V DC (PSU not included)
Power consumption	6 W, standby 2.5 W
Wi-Fi	Optional
Dimensions	316 x 185 x 27 mm
Colors	Black / White / Gold
Body	Aluminum
Installation Type	Wall mount, flush mount with special bracket.








### Possibilities of connection

Number of individual panels	Up to 9 panels
Number of multi-apartment panels	Up to 9 panels
Connection of additional monitors	Up to 8 monitors

Additional connectors SD card slot (SDHC)

Memory function Record photo, video and audio to SD card  
 Interface Multi-language graphical and WEB interface  
 Number of IP cameras Up to 32 cameras

### Main features

-  10" IPS LCD touch screen
-  Quad splitter
-  Android OS
-  Slot for SD card
-  Lift call
-  Ability to install third-party apps
-  Concierge call
-  Third-party widget support
-  Downloading custom MP3 ringtones
-  Software update via Ethernet
-  High definition video support
-  Wall and flush mounting installation

## Functional capabilities

Number of call ringtones  
 Download custom MP3 ringtones  
 Intercom type  
 Home automation control  
 Scene  
 Answering machine  
 Support of receiving messages  
 Multimedia features  
 Standby mode

Select the type of screensaver  
 in standby mode

Do Not Disturb  
 Silent mode  
 Backup photos taken during the call  
 Ability to install third-party applications  
 Support for third-party widgets

Software update

9 melodies to choose

Yes

Video Intercom

Light / curtains / lift

Yes

Yes

Yes

View video, photo and audio files from an SD card

Yes, customizable by time

Multi-camera live viewing — up to IP 4 cameras  
 at the same time

Clock

Photo frame

Live tour view — up to 16 cameras, time adjustable

Single IP camera live viewing.

Yes, customizable by time

Yes, customizable by time

Yes

Yes

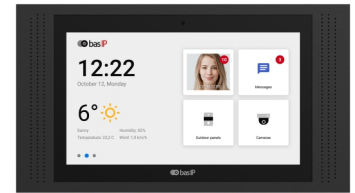
Yes

From the web interface

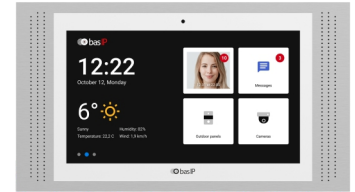
From SD card

From BAS-IP updates server

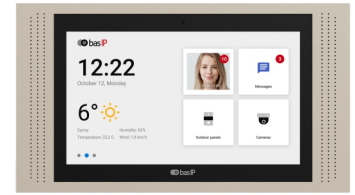
## Color variations



BLACK

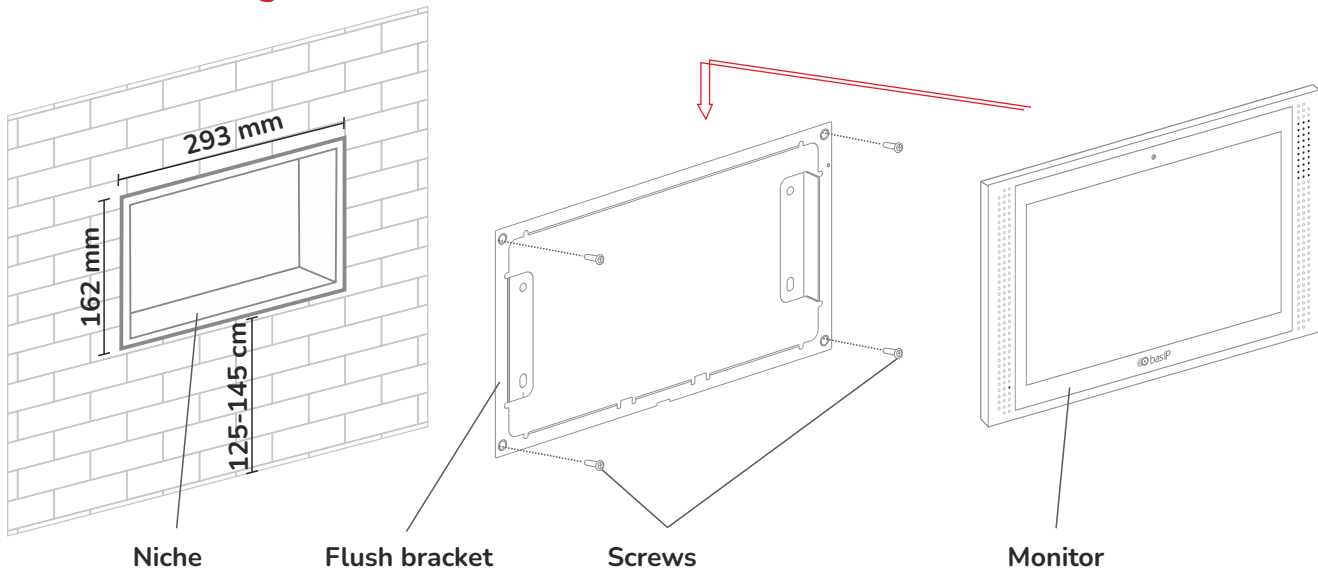


WHITE

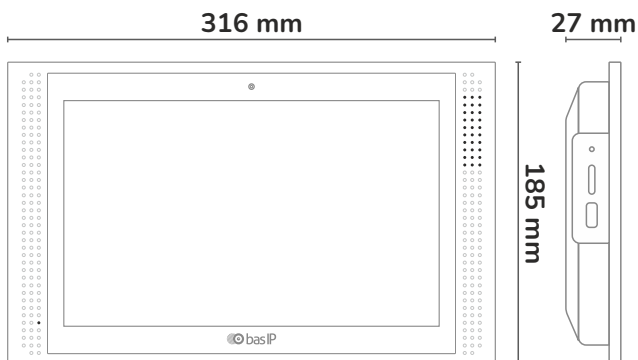


GOLD

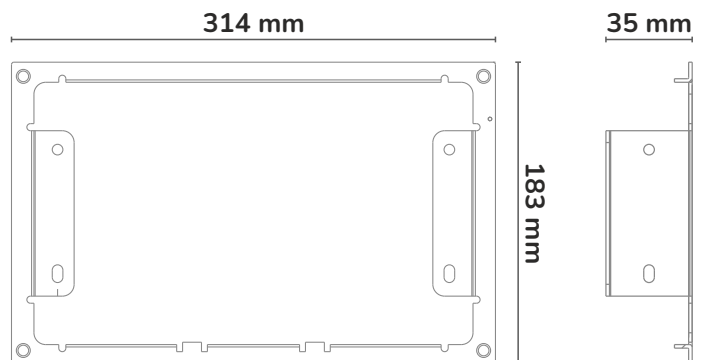
## Flush mounting



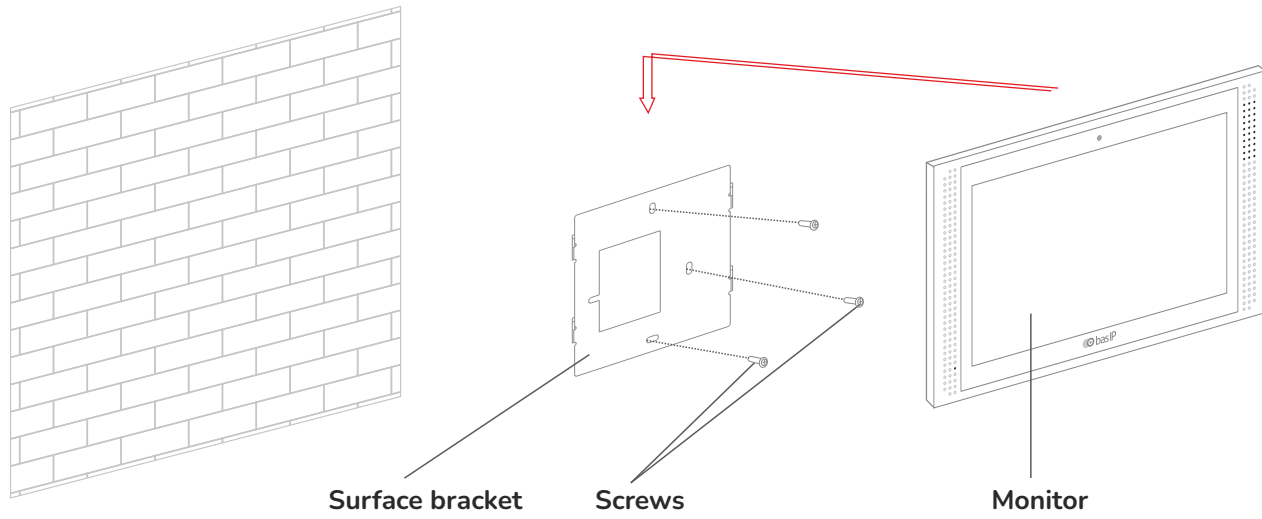
### Monitor



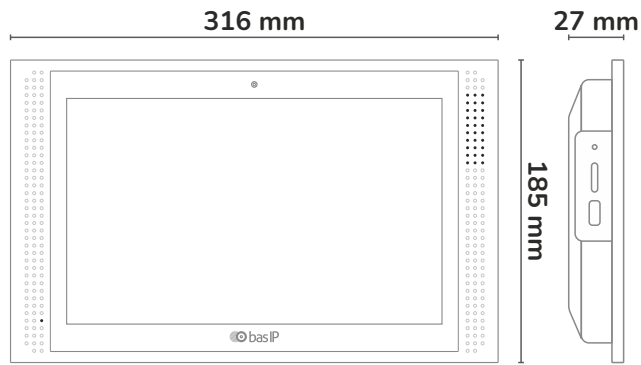
### Flush bracket



## Surface mounting



## Monitor



## Surface bracket

